

MODEL #507 CONCRETE WASTE RECEPTACLE - SQUARE
WITH LOCKING STEEL DOOR, ROUND DEPOSIT

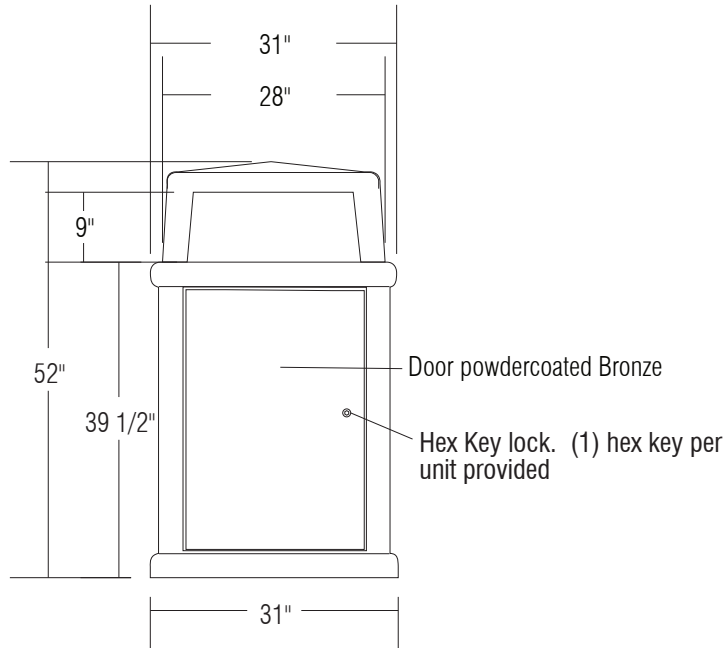
OUTDOOR CREATIONS, INC.

SCALE: 1" = 24"

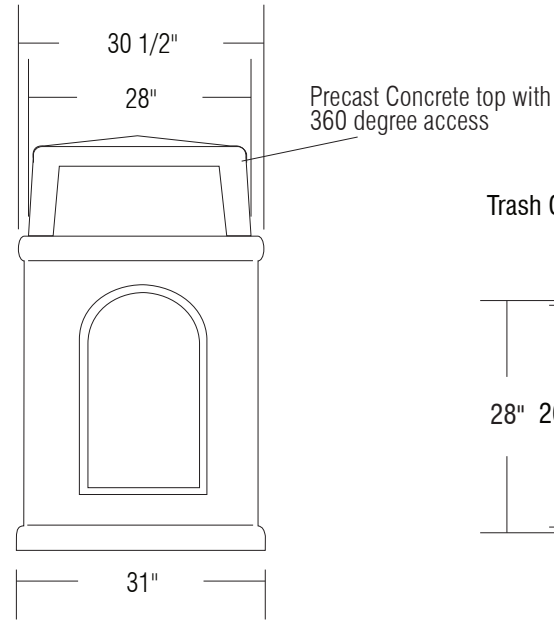
CUSTOMER APPROVAL x _____

DRAWN BY: MNC

FRONT ELEVATION

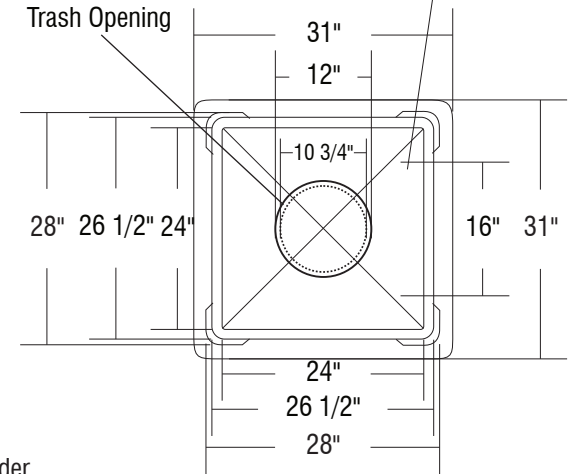


SIDE ELEVATION



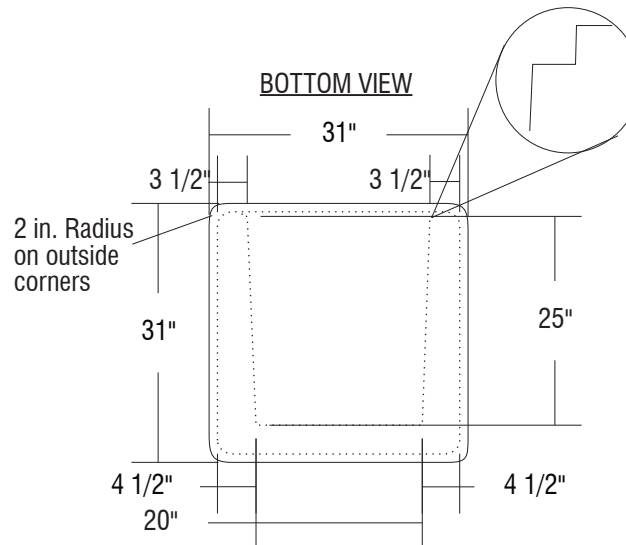
Concrete Dome Lid - Attaches to main body with (4) coil rods epoxied into corresponding grout pockets in lower cabinet.

PLAN



1/2" x 1/2" Shoulder for door to fit in

BOTTOM VIEW

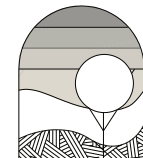


45 Gallon Liner Included

NOTES:

1. Concrete mix design to include a mixture of Portland Cement, water, coarse and fine aggregates, pure mineral oxide coloring agents (when applicable) to yield a minimum compressive strength of 5000 psi.
2. Final product shall be reinforced with #4 and #5 rebar grid.
3. Product is cast in 1-piece with no assembly required.
4. Hairline cracks may develop over time. These are not structural failures, but inherent characteristics of the material itself.
5. Air pockets are a common occurrence in precast products. The frequency and size of air pockets are variable and to be expected, especially on vertical surfaces.
6. Concrete corners and edges will chip if not handled according to guidelines. Patch kits are available but may or may not blend and can be variable.
7. There is a level of care and maintenance associated with your product and is the responsibility of the end user. Choosing the right sealer can help minimize those costs.

WEIGHT: 1650 LBS
TEXTURE:
COLOR:
SEALER:



OUTDOOR CREATIONS INC.
2270 Barney Street
Anderson, CA 96007
(530) 365-6106
FAX (530) 365-5129