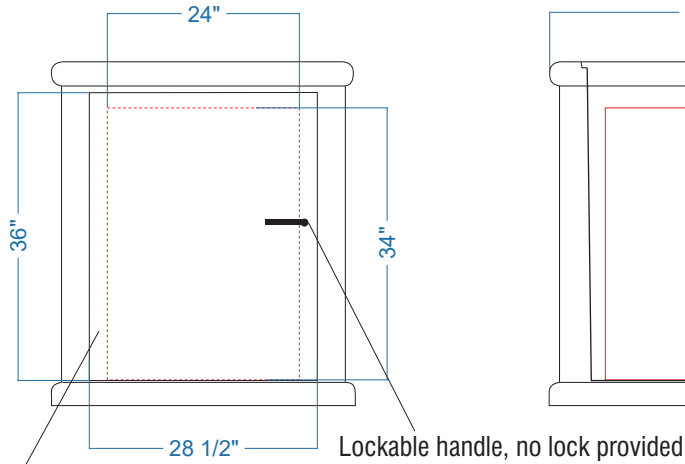
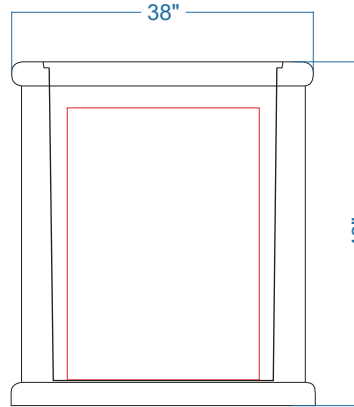


ELEVATION

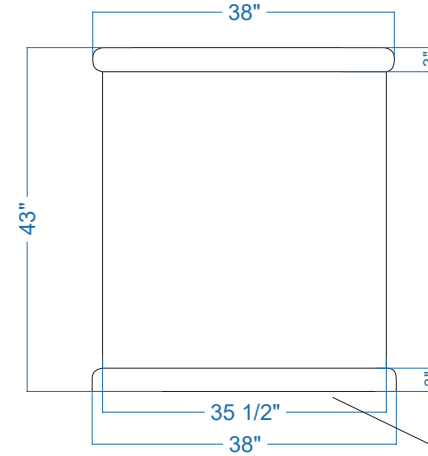


Steel door,
powdercoated bronze
GR1372-BR340

SECTION

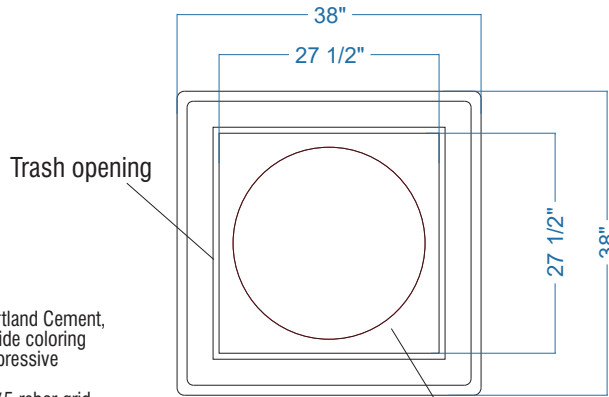


SIDE VIEW



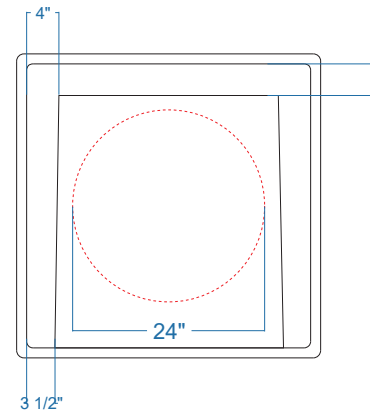
Recommended to secure trash receptacle to concrete slab with construction epoxy.

PLAN



Trash opening

PLAN SECTION



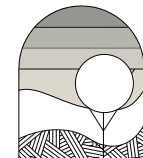
Red line represents dimensions of trash can liner used by customer (24" diameter x 34" tall)

NOTES:

1. Concrete mix design to include a mixture of Portland Cement, water, coarse and fine aggregates, pure mineral oxide coloring agents (when applicable) to yield a minimum compressive strength of 5000 psi.
2. Final product shall be reinforced with #4 and #5 rebar grid.
3. Product is cast in 1-piece with no assembly required.
4. Hairline cracks may develop over time. These are not structural failures, but inherent characteristics of the material itself.
5. Air pockets are a common occurrence in precast products. The frequency and size of air pockets are variable and to be expected, especially on vertical surfaces.
6. Concrete corners and edges will chip if not handled according to guidelines. Patch kits are available but may or may not blend and can be variable.
7. There is a level of care and maintenance associated with your product and is the responsibility of the end user. Choosing the right sealer can help minimize those costs.

Flat lid made from 14 gauge steel, powder coated bronze (GR1372-BR340) with 24" trash opening, tab, and 1/8" x 24" stainless steel aircraft security cable. Cable to attach to threaded insert located inside #518 casting

WEIGHT: 1950 LBS
TEXTURE:
COLOR:
SEALER:



OUTDOOR CREATIONS INC.
2270 Barney Street
Anderson, CA 96007
(530) 365-6106
FAX (530) 365-5129